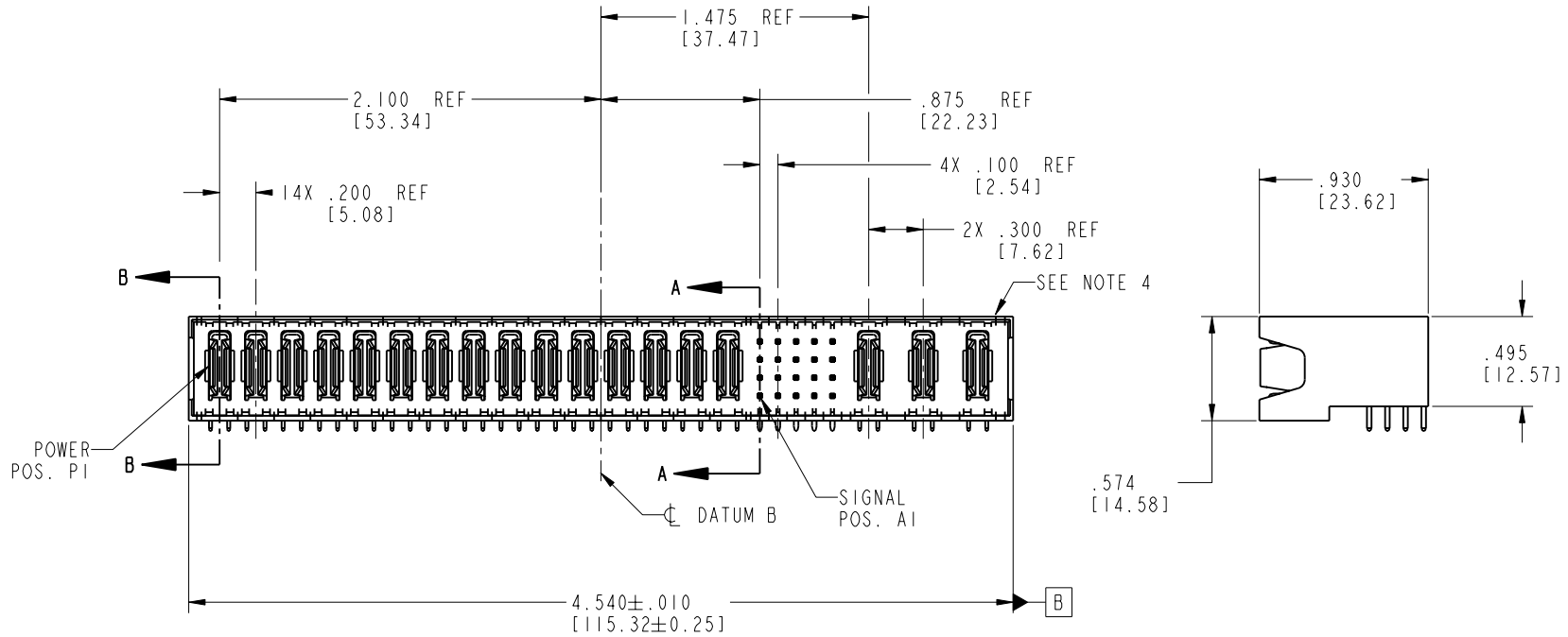


Tous droits strictement réservés. Reproduction ou communication o des liens interdite sous quelque forme que ce soit sans autorisation écrite du propriétaire. Propriete de c FCI. Droits de reproduction FCI.

FCI

All rights strictly reserved. Reproduction or issue to third parties in any form whenever is not permitted without written authority from the proprietor. Property of FCI. Copyright FCI.

PRODUCT NO.	ROWS	POWER														SIGNAL					POWER		
		P1	P2	P3	P4	P5	P6	P7	P8	P9	P10	P11	P12	P13	P14	P15	1	2	3	4	5	P16	P17
51939-046-- NOTE:3	D C B A	PA	PA	PA	PA	PA	PA	PA	PA	PA	PA	PA	PA	PA	PA	HUUUU	TTTTT	SSSSS	RRRRR	PA	PA	PA	



CODE	DIM "M" MATING LENGTH	CONTACT TYPE
E	.220 [5.59]	SIGNAL
H	.220 [5.59]	SIGNAL
R	.270 [6.86]	SIGNAL
S	.270 [6.86]	SIGNAL
T	.270 [6.86]	SIGNAL
U	.270 [6.86]	SIGNAL
PA	N/A [N/A]	POWER
X	OMITTED	OMITTED

mat'l code				SEE NOTE 2		tolerances unless otherwise specified		CUSTOMER		 www.fciconnect.com	
ltr	ecn no.	dr	date	linear	.XX±.01/0.X±0.3		COPY		title		 INCH/MM
A	V03-0163	TAB	02/10/03		.XXX±.005/0.XX±0.13		projection		15P+20S+3ACP		
B	V03-0279	TAB	03/14/03	angles	.XXX±.0020/0.XXX±0.051		 scale		RIGHT ANGLE SOLDER HEADER		
C	V03-0613	DAI	05/29/03		0°±2°		1:1		product family		code
D	DG05-0330	CS	09/14/05	dr	T. BRUNGARD	02/10/03	PwrBlade		code		
E	DG06-0008	JMG	01/07/06	enrg	M. MOSTOLLER	02/10/03	size		sheet		
				chr	M. MOSTOLLER	02/10/03	dwg no		213		
				appd	M. MOSTOLLER	02/10/03	A		51939-046		
sheet index		revision sheet		E	E	E	E			1 of 4	
1		2		3	4						

1 | 2

Pro/E

3 |

cage code 22526

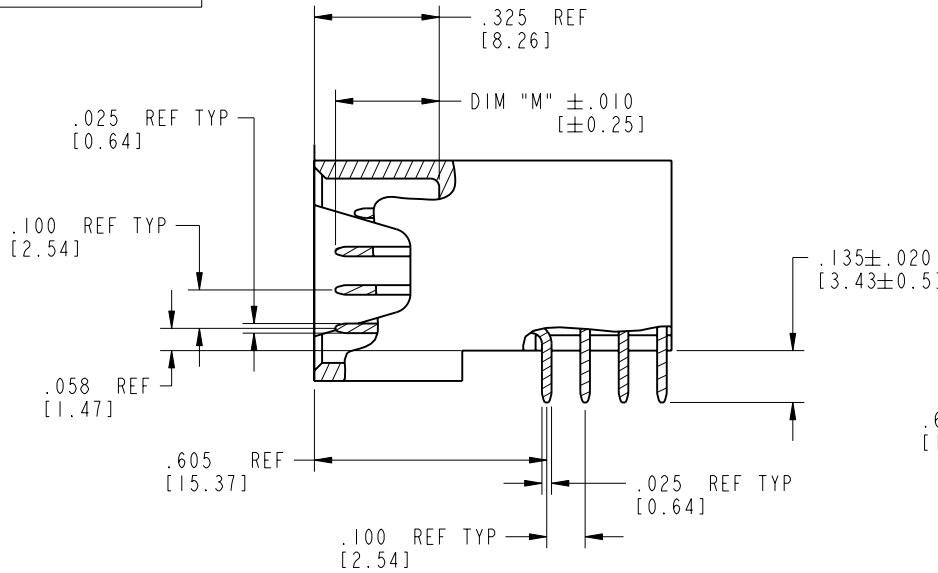
4

Tous droits strictement réservés. Reproduction ou communication o des liers interdite sous quelque forme que ce soit sans autorisation écrite du propriétaire. Propriété de c FCI. Droits de reproduction FCI.

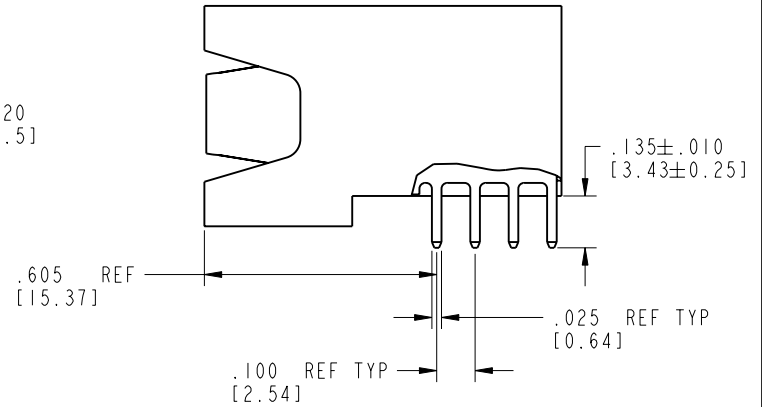
All rights strictly reserved. Reproduction or issue to third parties in any form, whatever is not permitted without written authority from the proprietor. Property of FCI. Copyright FCI.

PRODUCT NUMBER


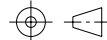
51939-046__
NOTE:3



BROKEN-OUT SECTION A-A
SCALE 2:1



BROKEN-OUT SECTION B-B
SCALE 2:1

mat'l code		SEE NOTE 2		tolerances unless otherwise specified		CUSTOMER		 FCI www.fciconnect.com			
lfr	ecn no.	dr	date	linear	.XX±.01/0.X±0.3	COPY					
E				linear	.XXX±.005/0.XX±0.13	projection			title	15P+20S+3ACP	
				angles	.XXX±.0020/0.XXX±0.051	INCH/MM			product family	PwrBlade	code
				dr	T. BRUNGARD 02/10/03	scale		size	dwg no	sheet	2 of 4
				engr	M. MOSTOLLER 02/10/03	1:1		A	51939-046		
				chr	M. MOSTOLLER 02/10/03						
				appd	M. MOSTOLLER 02/10/03						
sheet index	revision sheet										

cage code 22526

Pro/E

PDM: Rev:E

STATUS: Released

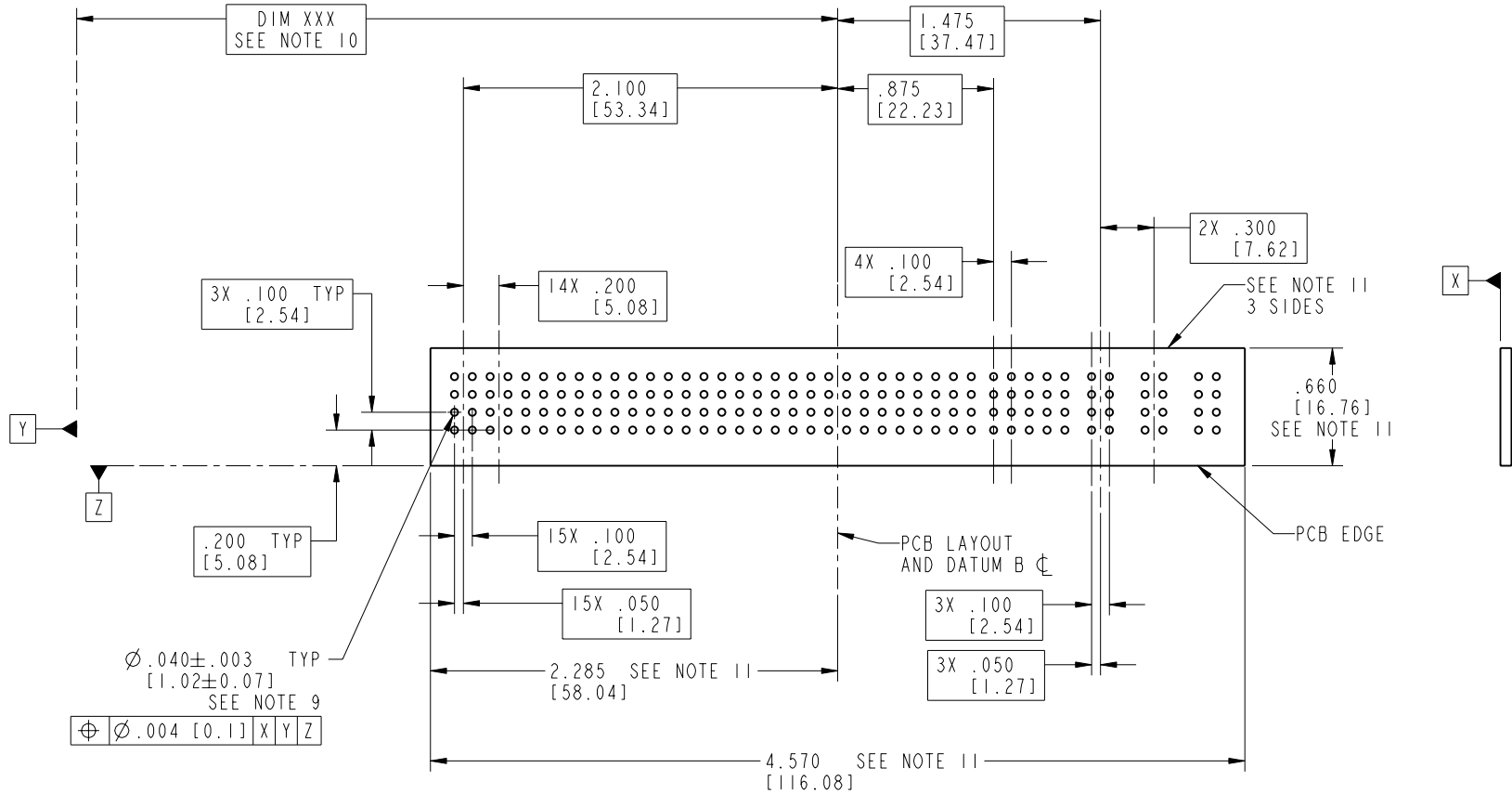
Printed: Aug 14, 2007

Tous droits strictement réservés. Reproduction ou communication o des liers interdite sous quelque forme que ce soit sans autorisation écrite du propriétaire. Propriété de c FCI. Droits de reproduction FCI.

FCI

All rights strictly reserved. Reproduction or issue to third parties in any form, whatever is not permitted without written authority from the proprietor. Property of FCI. Copyright FCI.

PRODUCT NUMBER
51939-046__
NOTE:3



RECOMMENDED PCB LAYOUT

mat'l code		SEE NOTE 2		tolerances unless otherwise specified		CUSTOMER		 www.fciconnect.com	
ltr	ecn no.	dr	date	linear	.XX±.01/0.X±0.3	COPY			
E				linear	.XXX±.005/0.XXX±0.13	projection		 title 15P+20S+3ACP RIGHT ANGLE SOLDER HEADER	
				angles	.XXX±.0020/0.XXX±0.051	INCH/MM			
				dr	T. BRUNGARD 02/10/03	scale		product family PwrBlade	code 213
				enrg	M. MOSTOLLER 02/10/03	1:1		size	sheet 3 of 4
				chr	M. MOSTOLLER 02/10/03			dwg no	
				appd	M. MOSTOLLER 02/10/03			A	51939-046
sheet index	revision sheet								

cage code 22526

Pro/E

PDM: Rev:E

STATUS: Released

Printed: Aug 14, 2007

Tous droits strictement reserves. Reproduction ou communication o des liers interdite sous quelque forme que ce soit sans autorisation ecrite du proprietaire. Propriete de c FCI. Droits de reproduction FCI.



All rights strictly reserved. Reproduction or issue to third parties in any form, whenever is not permitted without written authority from the proprietor. Property of FCI. Copyright FCI.

PRODUCT NUMBER

51939-046__
NOTE:3

NOTES:

1. DIMENSIONS AND TOLERANCES ARE IN ACCORDANCE WITH ASME Y14.5M, 1994 UNLESS OTHERWISE SPECIFIED.

CONNECTOR NOTES:

- 2. HOUSING MATERIAL: UL 94 V-0 GLASS FILLED
HIGH-TEMP THERMOPLASTIC
POWER CONTACT MATERIAL: COPPER ALLOY
SIGNAL PIN MATERIAL: COPPER ALLOY
- 3. 51939-046;51939-046LF;51939-046GLF PLATING SPEC. SEE PRINT:10064183
- 4. MANUFACTURER'S NAME, P/N, AND DATE CODE TO APPEAR ON THIS SURFACE.
- 5. PRODUCT SPECIFICATION GS-12-149.
APPLICATION SPECIFICATION BUS-20-067.
- 6. PACKAGED IN TRAYS.

PCB NOTES:

- 7. ALL HOLE DIAMETERS ARE FINISHED HOLE SIZE.
- 8. MOUNTING HOLES, WHERE APPLICABLE, ARE UNPLATED.
- 9. $\varnothing .0453 \pm .0010$ [1.151 \pm 0.025] DRILLED HOLES PLATED WITH .0003 [0.008] MIN SnPb OVER .001 [0.03] TO .003 [0.08] Cu PLATING TO ACHIEVE $\varnothing .040 \pm .003$ [1.02 \pm .07] HOLE.
- 10. "DIM XXX" TO BE DETERMINED BY THE CUSTOMER.
- 11. CONNECTOR KEEP-OUT ZONE.

mat'l code		SEE NOTE 2		tolerances unless otherwise specified		CUSTOMER		www.fciconnect.com	
lfr	ecn no.	dr	date	linear	.XX±.01/0.X±0.3	COPY			
E				projection	.XXX±.005/0.XX±0.13			title	15P+20S+3ACP
				angles	.XXX±.0020/0.XXX±0.051			RIGHT ANGLE SOLDER HEADER	
				dr	T. BRUNGARD 02/10/03	INCH/MM		product family	PwrBlade
				enrg	M. MOSTOLLER 02/10/03			code	213
				chr	M. MOSTOLLER 02/10/03	scale		size	dwg no
				appd	M. MOSTOLLER 02/10/03	1:1		A	51939-046
sheet index	revision sheet							sheet	4 of 4

coge code 22526

Pro/E